

**CATALOGO PEZZI DI RICAMBIO PER MODAMATIC
2000/3000 DEFENDI BROTHER**

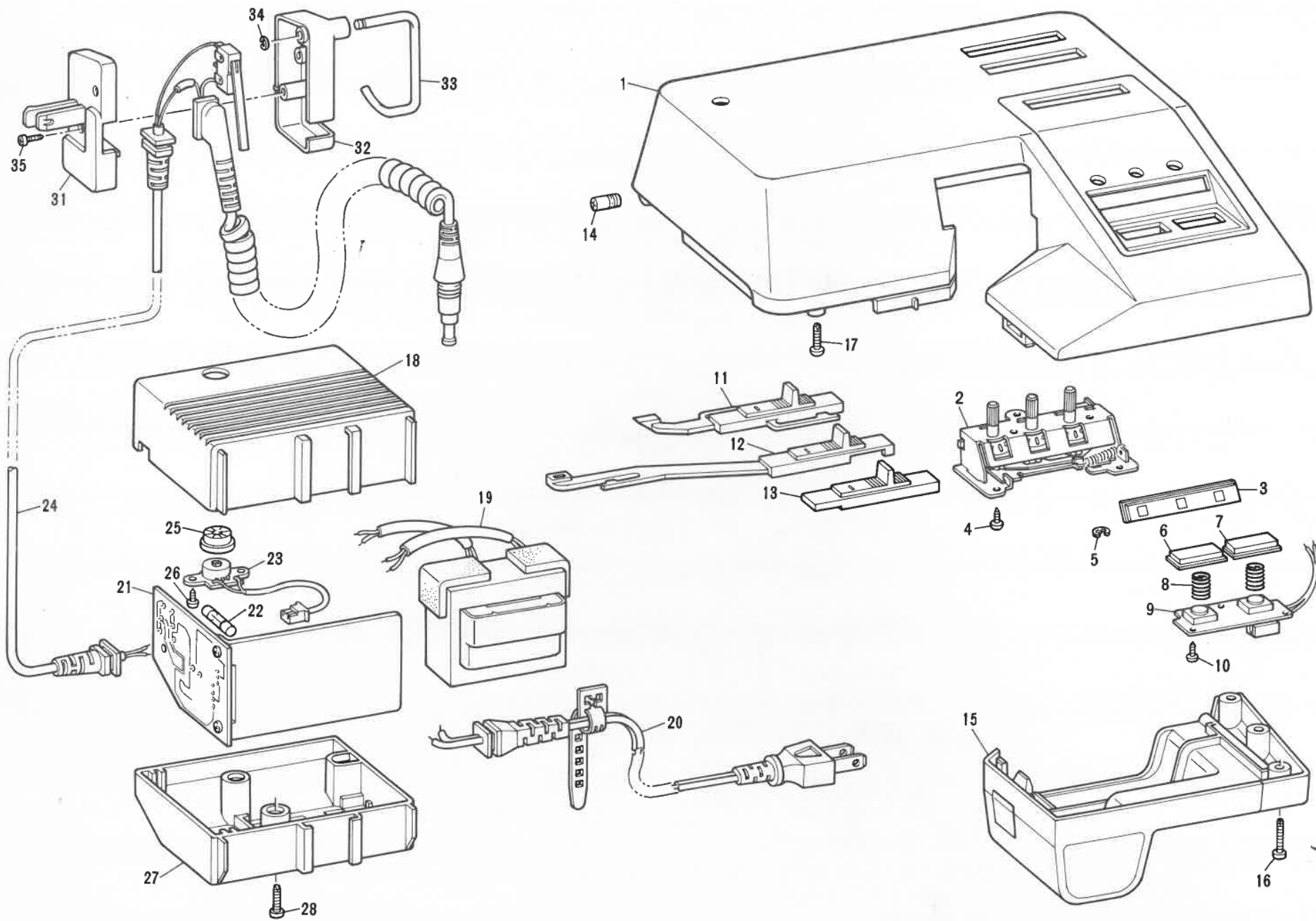


Fig : A

Ref. No.	Parts No.	Description	Revised	Q'ty	Ref. No.	Parts No.	Description	Revised	Q'ty
A 1~17 & B 1~C133	* 413165001	G-Carriage assembly for KG-89 BRO		1	24	413036001	DC Cord for KG-89		1
	* 413016001	G-Carriage assembly for KG-88 BRO		1		413032001	DC Cord for KG-88		1
1	413009001	G-Carriage cover upper assembly		1	25	U03202002	Speed controle knob		1
2	412665001	Row counter		1	26	037270616	Tapping screw 2.6×8		2
3	412688001	Cover		1	27	412726001	Adaptor box		1
4	037280616	Tapping screw 2.6×6		3	28	037351416	Tapping screw 3.5×14		3
5	048030346	Snap ring 3		1	29				
6	412689001	Start key		1	30				
7	412689002	Stop key		1	31	412720001	Sensor box for yarn breakage		1
8	412868001	Spring for switch button		2	A32	412723001	Cover		1
9	412690001	Switch board		1	33	412722001	Detecting bar		1
10	037270616	Tapping screw 2.6×6		3	34	048025346	Snap ring 2.5		1
11	412694001	Pattern selector knob		1	35	037270816	Tapping screw 2.6×8		2
12	412695001	Aut-return knob		1	*	413167001	G-Carriage assembly for KG-89 DB		
13	412696001	Direction change knob		1		413169001	G-Carriage assembly for KG-88 DB		
14	412699001	Screw		2	*	413191001	G-Carriage assembly for KG-89 KK		
						413187001	G-Carriage assembly for KG-88 KK		
15	413154001	G-Carriage cover, lower assembly for KG-89		1					
	413013001	G-Carriage cover, lower assembly for KG-88		1					
16	037351615	Tapping screw 3.5×16		3					
17	037351416	Tapping screw 3.5×14		3					
18-35	413195001	115V-Adaptor assembly for KG-89		1					
	413060001	220V-Adaptor assembly for KG-89		1					
	413089001	220V-Adaptor assembly for KG-89 for F. R.		1					
	413204001	230V-Adaptor assembly for KG-89 Germany		1					
	413206001	240V-Adaptor assembly for KG-89		1					
	413047001	115V-Adaptor assembly for KG-88		1					
	413059001	220V-Adaptor assembly for KG-88		1					
	413024001	220V-Adaptor assembly for KG-88 for F. R.		1					
	413171001	230V-Adaptor assembly for KG-88 Germany		1					
	413175001	240V-Adaptor assembly for KG-88		1					
18	412702001	Adaptor box cover		1					
19-20	413049001	115V-Transformer with AC cord		1					
	413520001	220V-Transformer with AC cord		1					
	413040001	220V-Transformer with AC cord for F. R.		1					
	413183001	230V-Transformer with AC cord Germany		1					
	413180001	240V-Transformer with AC cord		1					
19	413050001	115V-Transformer		1					
	413041001	220V-Transformer		1					
	413184001	230V-Transformer		1					
	413181001	240V-Transformer		1					
20	413052001	AC Cord with plug for USA-115V		1					
	413027001	AC Cord with plug for continental-220V		1					
	413177001	AC Cord without plug for UK-240V		1					
21	412706001	Power supply board assembly		1					
	413055001	Power supply board assembly for USA		1					
22	412409001	Fuse 2A		1					
	U15083000	Fuse 2A for USA		1					
23	412714001	Volume		1					

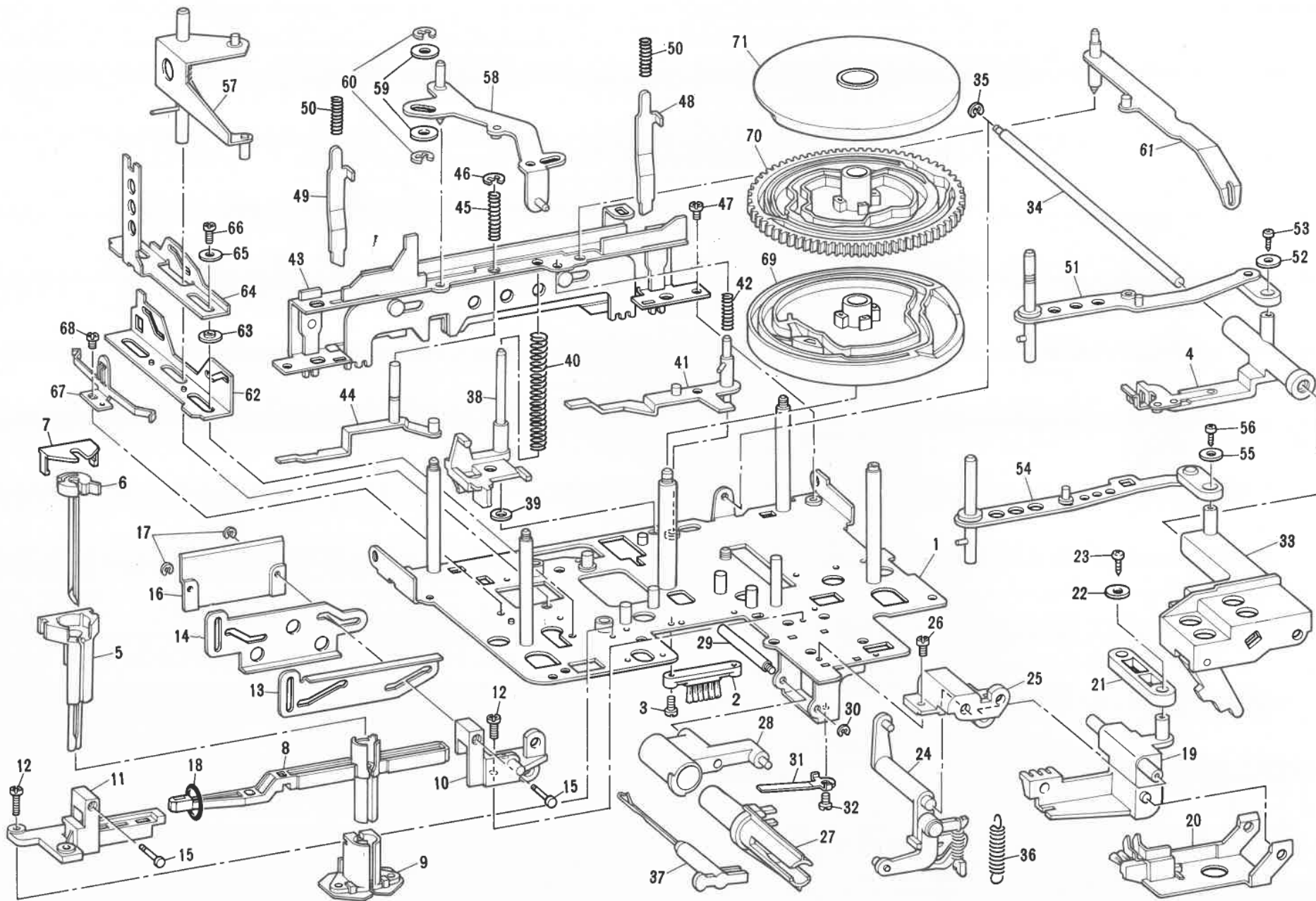


Fig : B

Ref. No.	Parts No.	Description	Revised	Q'ty	Ref. No.	Parts No.	Description	Revised	Q'ty
B 1	412432001	G-Carriage plate		1	B56	037270816	Tapping screw 2.6×8		1
2	412869001	Latch stopper brush		1	57	412577001	Yarn feeder change plate		1
3	060660606	+ - Screw 3.18×6		2	58	412588001	Latch presser lever		1
4	412447001	Arm for needle operation		1	59	025050236	Washer 5		2
5-7	412516001	Yarn feeder assembly		1	60	048040346	Snap ring 4		2
5	412751001	Yarn deeder		1	61	412593001	Tilting lever for G-needle		1
6	412752001	Yarn feeder lever		1	62	412597001	Pattern selector cam		1
7	412521001	Yarn feeder cover		1	63	412598001	Collar		2
8	412522001	Yarn feeder holder		1	64	412599001	Yarn feeder change cam		1
9	412525001	Latch presser plate		1	65	025660336	Washer 3.18		2
10	412528001	Yarn feeder holder bracket, R		1	66	060660606	+ - Screw 3.18×6		2
11	412529001	Yarn feeder holder bracket, L		1	67	412600001	Yarn feeder change cam spring		1
12	060660606	+ - Screw 3.18×6		5	68	412048006	+ - Screw 3.18×3		1
13	412530001	Yarn feeder change cam		1	69	412601000	G-carriage feeding cam		1
14	412531001	Latch presser plate change cam		1	70	412602000	G-needle operation cam		1
15	412532001	Stud		2	71	412603000	G-needle tilting cam		1
16	412753001	Washer		1					
17	048020346	Snap ring 2		2					
18	081009070	O ring P9		1					
19	412534001	Pitch adjuster		1					
20	412536001	Needle guide arm		1					
21	412539000	Link for pitch adjuster		1					
22	025660336	Washer 3.18		1					
23	037270816	Tapping screw 2.6×8		1					
24	412540001	Swing arm for G-needle		1					
25	412549000	Operation arm for G-needle		1					
26	060660606	+ - Screw 3.18×6		2					
27	412551001	Socket for G-needle		1					
28	412554001	Arm for socket		1					
29	412557001	Stud		1					
30	048020346	Snap ring 2		1					
31	412754001	Spring for G-needle socket		1					
32	412048006	+ - Screw 3.18×3		1					
33	412558001	Operation arm for G-needle		1					
34	412562001	Operation shaft for G-needle		1					
35	048025346	Snap ring 2.5		1					
36	413007001	Spring		1					
37	412563001	G-needle		1					
38	412474001	Reader for needle selection		1					
39	412750001	Rubber washer		1					
40	412477001	Reader spring		1					
41	412478001	Change lever for stitch		1					
42	412483001	Spring for change lever		1					
43~46	412495001	Step feeder for G-carriage for KG-89		1					
	412772001	Step feeder for G-carriage for KG-88		1					
44	412509001	Casting-off lever		1					
45	412513001	Spring for casting-off lever		1					
46	048040346	Snap ring 4		1					
47	412048006	+ - Screw 3.18×3		2					
48	412514001	Change plate R for aut return		1					
49	412863001	Change plate L for aut return		1					
50	412515001	Spring for change plate		2					
51	412565001	Knitting needle operation lever		1					
52	025660336	Washer 3.18		1					
53	037270816	Tapping screw 2.6×8		1					
54	412574001	Operation lever for G-needle		1					
55	025660336	Washer 3.18		1					

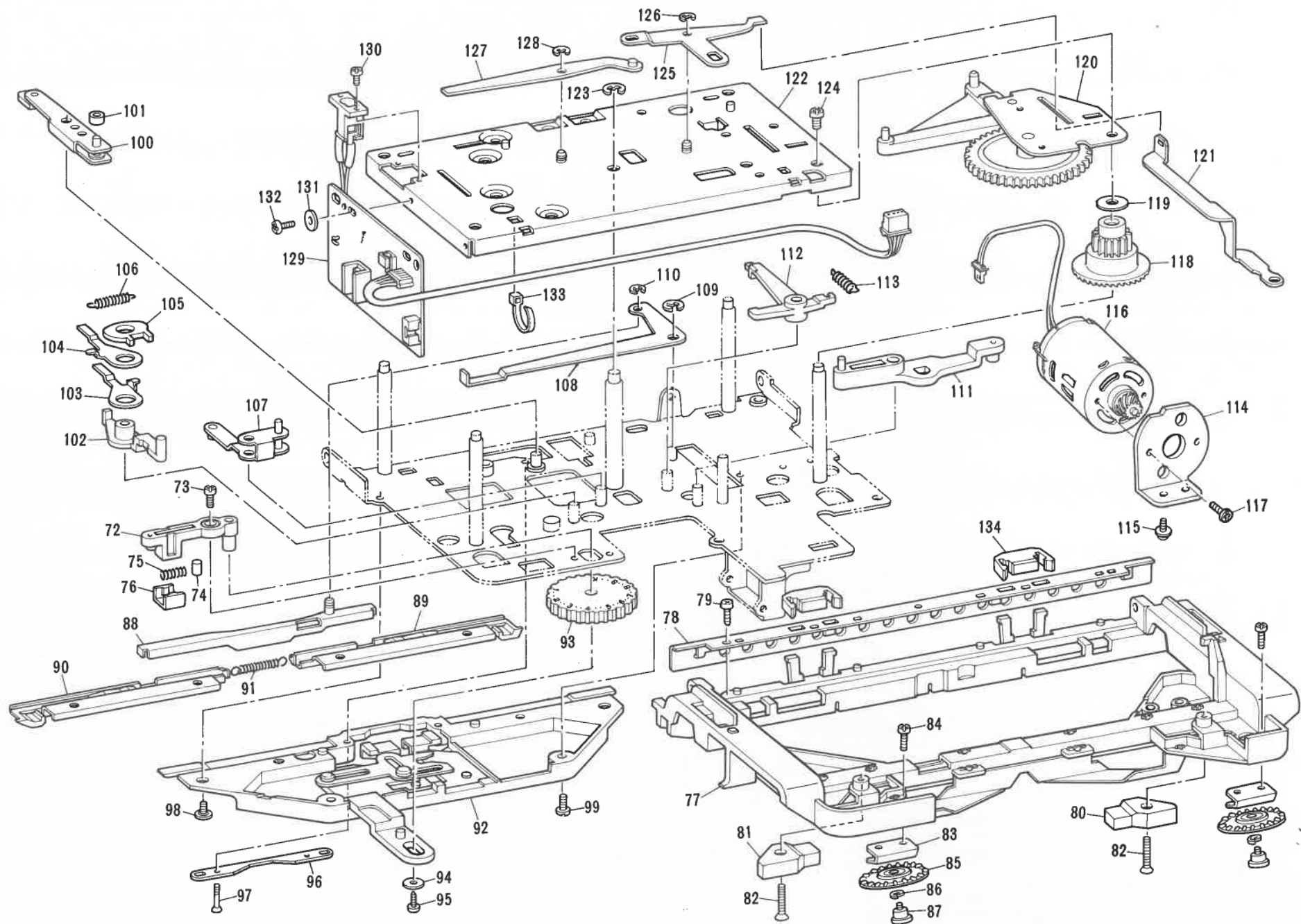


Fig : C

Ref. No.	Parts No.	Description	Revised	Q'ty	Ref. No.	Parts No.	Description	Revised	Q'ty
C 72	412747000	Stitch dial lever		1	123	048040346	Snap ring 4		4
73	060660506	+ - Screw 3.18×5		1	124	412048006	+ - Screw 3.18×3		3
74	412748001	Roller		1	125	412639000	Direction change lever		1
75	412463001	Stitch dial spring		1	C126	048030346	Snap ring 3		1
76	412749000	Cover		1	127	412640001	Direction change lever B		1
77-87	412624001	G-Carriage foot assembly for KG-89		1	128	048030346	Snap ring 3		1
	412775001	G-Carriage foot assembly for KG-88		1	129	412643001	Motor control board		1
					130	062630406	+ - Screw 2.38×4		2
77	412700001	G-Carriage foot for KG-89		1	131	400806004	Washer 3.6		2
	413028001	G-Carriage foot for KG-88		1	132	062630406	+ - Screw 2.38×4		2
78	412627001	Rear side plate		1	133	547262001	Binder		3
79	037300816	Tapping screw 3×8		5					
80	407454000	Magnet, right		1					
81	407578000	Magnet, left		1					
82	040321615	Tapping screw 3×16		2					
83	412992001	Bracket for rubber wheel		2					
84	060660606	+ - Screw 3.18×6		4					
85	411573001	Rubber wheel		2					
86	028030243	Spring washer 2-3		2					
87	405029001	Stud screw 3.18		2					
88	412856001	Connecting plate		1					
89	412632001	Direction change plate, right for KG-89		1					
	412864001	Direction change plate, right for KG-88		1					
90	412860001	Direction change plate, left for KG-89		1					
	412866001	Direction change plate, left for KG-88		1					
91	412862001	Connecting plate spring		1					
92	412454001	Stitch cam guide plate		1					
93	412462001	Stitch dial		1					
94	025030336	Washer 3		1					
95	037270816	Tapping screw 2.6×8		1					
96	412464001	Needle guide plate		1					
97	408297001	Flat head screw 2.38×11		2					
98	409494001	Screw 3.57		2					
99	060660606	+ - Screw 3.18×6		2					
100	412465001	G-Carriage feeding lever		1					
101	412471001	Roller		1					
102	412472000	Direction change lever		1					
103	412426001	Spring hanger plate, lower		1					
104	412427001	Spring hanger plate, upper		1					
105	412428000	Presser plate for spring hanger		1					
106	412473001	Direction change lever spring		1					
107	412484001	Stitch adjuster plate		1					
108	412445000	Change lever for yarn feeder		1					
109	048040346	Snap ring 4		1					
110	048030346	Snap ring 3		1					
111	412489001	Pitch adjuster lever		1					
112	412492000	Retainer for reader		1					
113	412493001	Spring for retainer		1					
114	413086001	DC Motor Bracket		1					
115	406397001	Screw with washer 3.18×5		2					
116	412604001	DC motor RS-545		1					
117	060300506	+ - Screw 3×5		2					
118	412608000	Bevel Gear, Z: 50		1					
119	412609000	Washer		2					
120	412610001	Gear mount assembly		1					
121	412638000	Row counter connecting plate		1					
122	412619001	G-Carriage upper plate		1					

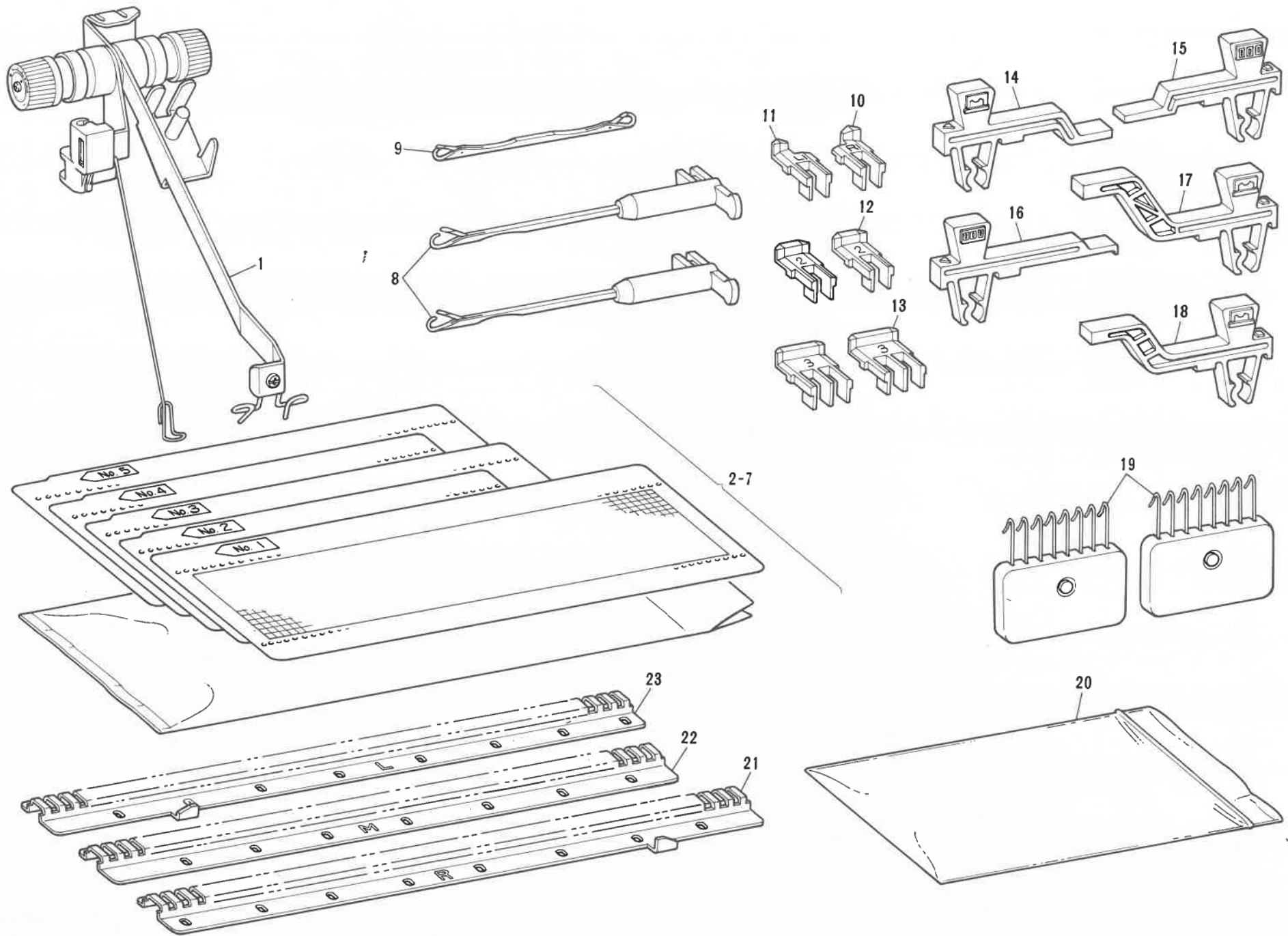


Fig : D

Ref. No.	Parts No.	Description	Revised	Q'ty	Ref. No.	Parts No.	Description	Revised	Q'ty
D 1	412783001	Yarn tension unit for KG-88 (head only)		1					
2-7	413056001	Punch card set for KG-88/89		1					
8	412563001	G-Needle		5					
9	412797001	Double latch tool		1					
10	413003001	G-Point cam R1 for KG-89		1					
	413005001	G-Point cam R1 for KG-88		1					
11	413004001	G-Point cam L1 for KG-89		1					
	413006001	G-Point cam L1 for KG-88		1					
12	412765001	G-Point cam 2 for KG-89		2					
	412777001	G-Point cam 2 for KG-88		2					
13	412766001	G-Point cam 3 for KG-89		2					
	412778001	G-Point cam 3 for KG-88		2					
14	412414001	Knit-leader tripper for KG-89 and KG-88/KH-881		1					
15	412415001	Row counter tripper for KG-89 and KG-88/KH-881		1					
18	412779001	Row counter/knit-leader tripper for KG-88/KH-860		1					
19	412767001	Weight for stitch increasing		2					
20	412888000	Accessories bag		1					
21	412999001	Rack R for KG-88		1					
22	412781001	Rack M for KG-88		1					
23	413001001	Rack L for KG-88		1					
C134, D 16 and 17	487340001	Additional parts set for KG-88/KH910 modified (optional) type							
C134	412785001	Magnet holder for KG-88/KH-910 M. type		2					
D 16	412417001	Row counter tripper for KG-88/KH-910 M. type		1					
17	412416001	Knit-leader tripper for KG-88/KH-910 M. type		1					